



Network Management Card Minislot

Installation manual



INTRODUCTION

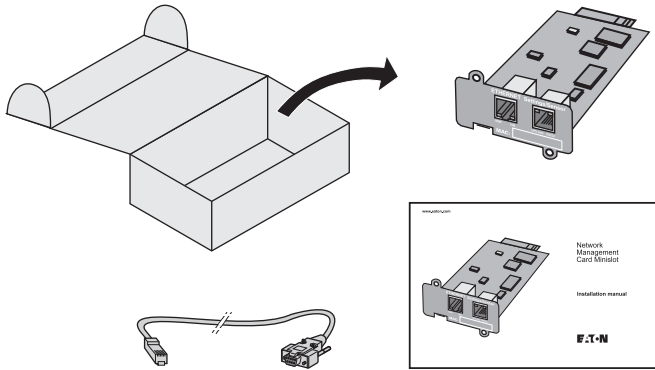
The **Network Management Card** is recommended for central UPSs protecting entire networks or for UPS units backing up critical loads.

With the card installed, the UPS has its own IP address and uses the local computer capabilities to:

- Supply web pages (http or https (SSL)) with information on status conditions and measurements/settings/alarms,
- Integrate an SNMP-based NMS such as HP OpenView, IBM Tivoli Netview and Computer Associates Unicenter,
- Communicate with the protection software installed on the protected servers (Network Shutdown Module or Netwatch),
- Send e-mail and SMS messages,
- Control the ON/OFF function of the UPS and the outlets,
- Monitor the Environment Sensor (optional, cat. no. 66846).

UNPACKING AND CHECKS

- One **Network Management Card**,
- One serial cable for configuration (34003918),
- One installation manual (34003905).



CHECK ON UPS VERSION

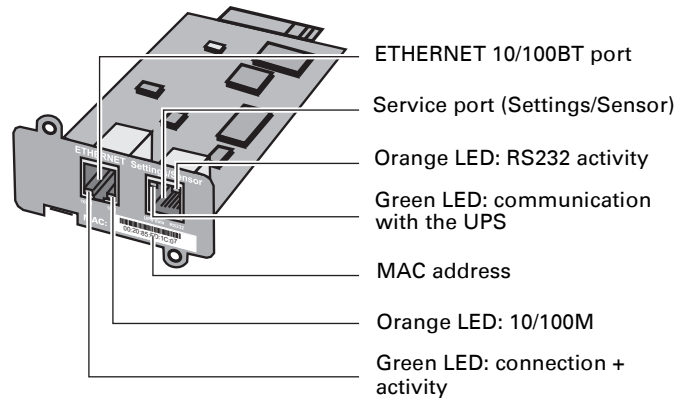


Important. Before installing the card, check that the UPS technical level (NT) is at least equal to that indicated in the compatibility list (For latest information, check the website according to your product : download.mgeops.com for EATON products, www.powerware.com for Powerware products) .

Note.

- If the technical level of the UPS is lower than that indicated in the compatibility list, contact EATON.

OVERVIEW



INDICATIONS

ETHERNET port

LED	Colour	Status	Description
ACT	Green	<ul style="list-style-type: none"> • OFF • ON • Flashing 	<ul style="list-style-type: none"> • Card not connected to network • Card connected to network, but no activity • Port is sending/receiving
100M	Orange	<ul style="list-style-type: none"> • OFF • ON 	<ul style="list-style-type: none"> • Port operating at 10 Mbits/s • Port operating at 100 Mbits/s

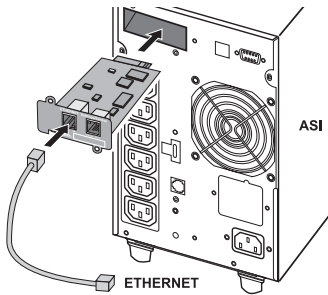
Service port (Settings/Sensor)

LED	Colour	Status	Description
UPS Data	Green	<ul style="list-style-type: none"> • OFF • ON • Flashing 	<ul style="list-style-type: none"> • Card starting • Communicating with UPS • Normal operation • Communication with UPS is operational
RS232	Orange	<ul style="list-style-type: none"> • OFF • ON • Flashing 	<ul style="list-style-type: none"> • Configuration menu activated • Normal operation • Configuration menu not activated • Communication with Environment Sensor (option)

INSTALLATION

The **Network Management Card** can be hot-plugged on all UPSs compatible with the card. It is not necessary to shutdown the UPS, disconnect the load or restart the UPS.

- Remove the plastic cover of the Minislot.
- Note the MAC address of the card before inserting it.



- Insert and secure the card with the screws.
- Connect the ETHERNET cable.
- Check the ETHERNET port indications.
- Wait until the UPS Data LED flashes regularly (approx. two minutes), indicating that card start-up has terminated correctly.

Nota : You can set the parameters via Service port even if the network is not connected. At connection, the card will restart keeping the settings.

IP SETTINGS

Once the card has started, proceed as indicated below.

- Connect the serial cable to card's service port and PC's COM port
- Use a terminal emulator such as HyperTerminal™ with these settings

Bits per second	Data bits	Stop bits	Parity	Flow control
9600	8	1	none	none

"Echo typed characters locally" option: disabled

- Type admin.

The main configuration menu is displayed:

```

EATON
NETWORK MANAGEMENT CARD
1 : Reset
2 : Network configuration
3 : Set Login Password to Default
4 : Return to Default Configuration
0 : Exit
    
```

Your network is equipped with a BOOTP/DHCP server (default)

The card is configured by default with this service enabled. No manual configuration is required. The IP parameters are automatically collected by the card.

From the main configuration menu: (see above)

- Press the 2 key (Network configuration).
- Press the 1 key (Read Network settings).

The settings supplied by the server are displayed:

```

Network configuration :
MAC address : 00:20:85:FD:1C:07
Mode : DHCP
IP address : 166.99.23.18
Subnet mask : 255.255.248.0
Gateway : 166.99.17
    
```

- Note the IP address.
- Press the 0 key (Exit).
- Press the 0 key (Exit).

You can also use **Intelligent Power Manager** software utility to view the card IP address

The tool is available at download.eaton.com. It must be installed on a network connected PC.

Your network is not equipped with a BOOTP/DHCP server

Manual configuration is required.

To set the network configuration, use terminal emulation (see above)

From the main configuration menu:

- Press the 2 key (Network configuration).
- Press the 2 key (Modify Network settings).
- Follow the instructions and enter the IP parameters:

```

1 : Read Network settings
2 : Modify Network settings
3 : Set ethernet speed
0 : Exit
    
```

For each of the following questions, you can press "Return" to select

```

the value shown in braces, or you can enter a new value
Should this target obtain IP settings from the network?[N] N
Static IP address [192.168.1.2]?166.99.1.82
Subnet mask IP address [255.255.0.0]? 255.255.255.0
Gateway address IP address [0.0.0.0]? 166.99.17.1
Done
    
```

Wait until "Done" is displayed, indicating that the IP parameters have been saved.

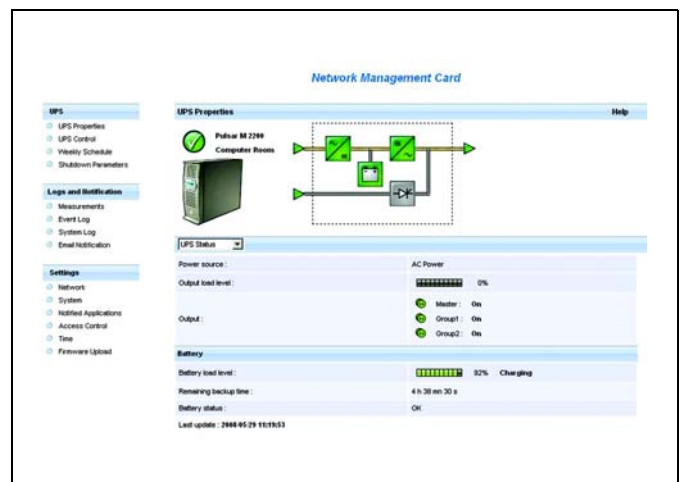
- Press the 0 key (Exit).
- Press the 1 key (Reset).
- Press the 2 key (Restart).

The card restarts with the new IP settings (after approx. one minute).

ACCESS TO SUPERVISION

To check whether the **Network Management Card** is operational after installation and IP settings, proceed as follows.

- Run a browser
- Enter in the address bar: **http://IP address/** (e.g. <http://166.99.1.82/>)
- The home page is displayed



- Set the time by clicking the Time command.
- Continue configuration via the sections in the Settings menu.

USER MANUAL

This manual provides all the information required to install and configure the **Network Management Card**.

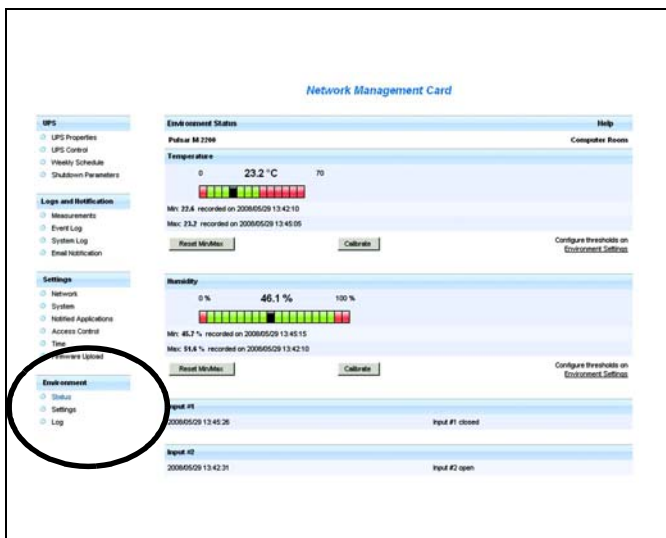
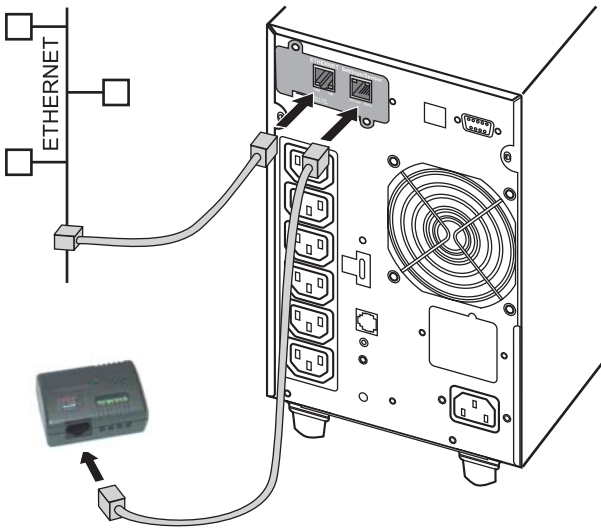
For more information on the supervision, control and configuration functions offered by the Network Management Card, see the user manual available at download.mgeops.com or in the Products/Power Management section at www.powerware.com.

SENSOR CONNECTION (option)

The Environment sensor is a **Network Management Card** option. It is available from EATON (cat. no 66846).

The sensor remotely monitors the UPS environment by regularly measuring the temperature and humidity, and checking the states of two external contacts. It can also send alarms (e-mail, SNMP trap) tripped by pre-set thresholds.

Connection is made via the Service port (Settings/Sensor) on the **Network Management Card**. The sensor is detected automatically. Configuration and supervision use a menu that may be accessed directly from the home page. For more information, see the user manual of the **Network Management Card**.



TECHNICAL CHARACTERISTICS

Physical characteristics	
Dimensions (W x D x H)	132 x 66 x 42 mm
Weight	70 g
RoHS	100% compatible
Storage	
Storage temperature range	-10°C to 70°C
Ambient conditions	
Operating temperature range	0°C to 40°C
Relative humidity	90% RH max. without condensation
Card performance	
Supply voltage	5V ±5%
Supply current (all LEDs ON and Environment Sensor connected)	300 mA max.
Functions	
Web supervision	5 browsers max. (http), 3 browsers max. (https)
Languages	English, French, German, Italian, Spanish, Chinese Simplified, Chinese Traditional, Japanese, Russian, Korean
Alarms	E-mail, SNMP TRAP, Web page
Log	400 measurements or events
Server protection	Up to 100 servers protected
Network	Fast ETHERNET, 10/100 Mbits, auto-negotiation HTTP 1.1, SNMP V1, NTP, TFTP, SMTP, BOOTP/DHCP
Identification	User name and password
Security	SSL 3.0, TLS 1.0
Browsers	Microsoft Internet Explorer 6.x or higher
NMS	Intelligent Power Manager (IPM) Management Pac 2
MIB	MIB II - Standard IETF UPS MIB (RFC 1628) - EATON Pulsar (ex MGE) MIB - EATON Powerware (PowerMib)
Settings (default values)	
IP network	BOOTP/DHCP enabled IP address: 192.168.1.2 (manual configuration) Subnet mask: 255.255.0.0 Gateway: 0.0.0.0 NTP server: pool.ntp.org
Web-page access control	User name: admin Password: admin
Service-port menu access control	Password: admin (not modifiable)
Date and time	Synchronise with an NTP server (GMT)
Service port	9600 bits/s, 8 bits, 1 bit stop, no parity

ELECTROMAGNETIC COMPATIBILITY

When correctly installed and used in accordance with manufacturer instructions, the card complies with the following standards:

- ITE (Information Technology Equipment) safety: IEC/EN 60950-1 2002
- EMC: EN 61000-6-2 (2002), EN 61000-6-3 (2002), IEC/EN 62040-2 (2002). In compliance with European directives:
 - Low voltage: 73/23/EEC and 93/68/EEC.
 - EMC: 89/336/EEC and 93/68/EEC.

Federal Communication Commission (FCC) statement

This equipment has been tested and found to comply with the limits for a **Class B** digital device, pursuant to part 15 of the FCC rules. These limits are designed to provide reasonable protection against harmful interference when the equipment is operated in a commercial environment.

WEB SITE

The information presented in this manual is also available in other languages at download.mgeops.com for EATON products, www.powerware.com for Powerware products.